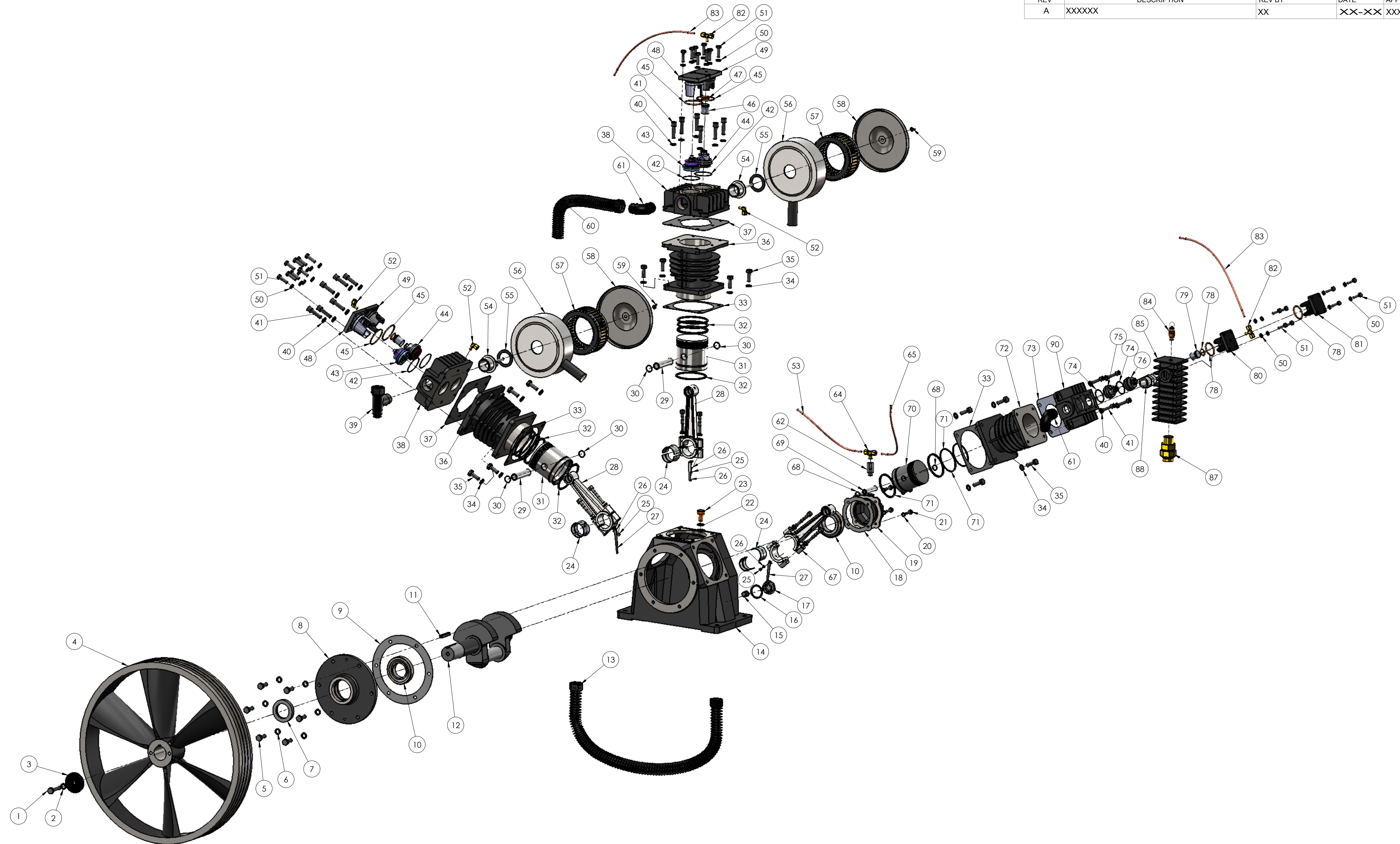
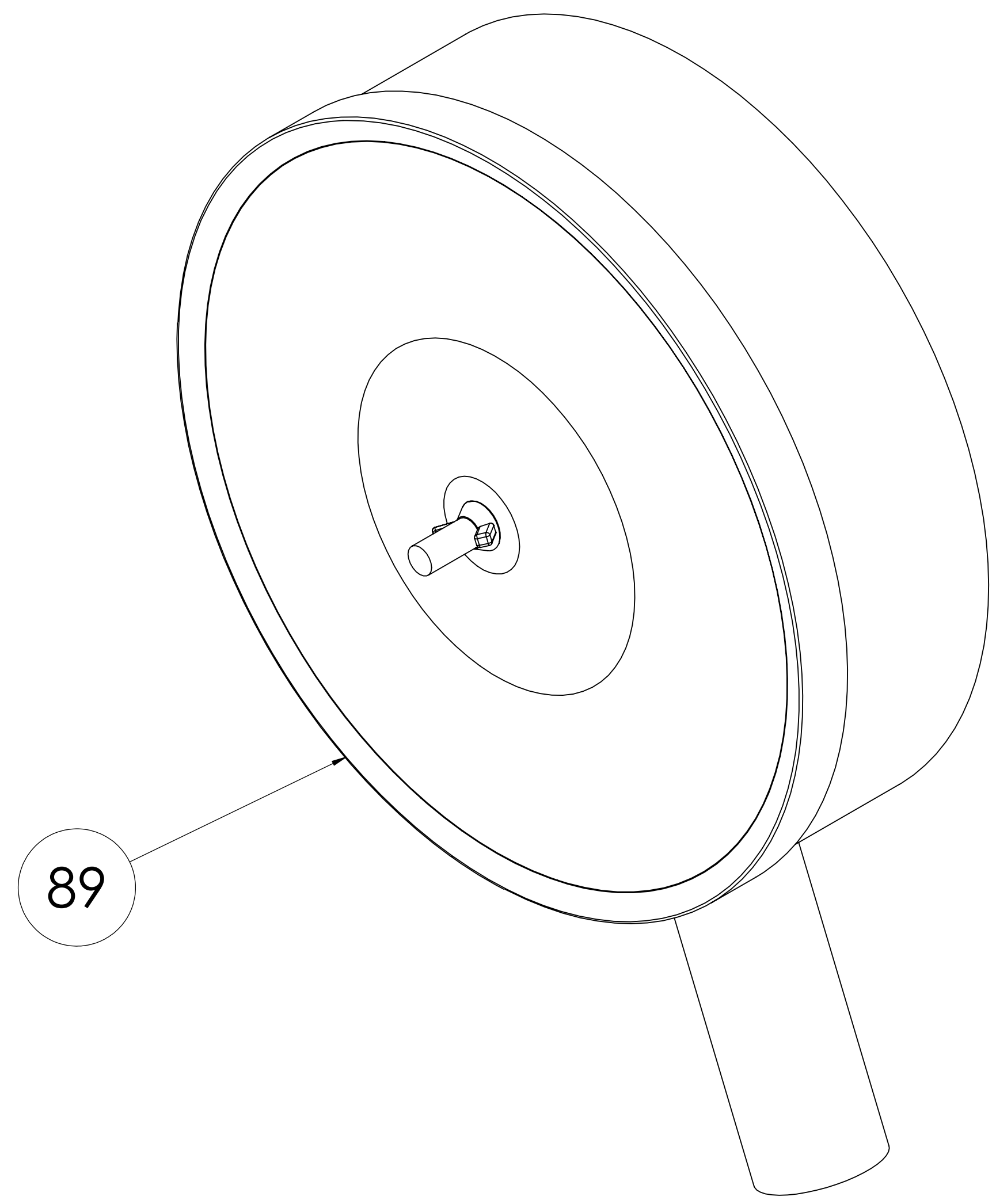


REV	DESCRIPTION	REV BY	DATE	APPD	DATE
A	XXXXXX	XX	XX-XX-XX	XXXX	XX-XX-XX



GEOMETRIC CHARACTERISTICS & SYMBOLS		UNLESS OTHERWISE SPECIFIED DIM. TOLERANCES ARE AS FOLLOWS:		DR BY: ALAN CAIN		DR BY DATE: 04/05/2015		1000 CASS DR CLAYTON, OHIO 45315	
—	FLATNESS	INCH	±.1 ±.02 ±.005 ±.0005	APPD:		APPD DATE:	04/05/2015	DESCRIPTION	
∠	STRAIGHTNESS	mm	±0.5 ±0.13 ±0.013	THIRD ANGLE PROJECTION		EDS DATE	04/05/2015		
∠	ANGULARITY	INCH	±.003 - .015	CONFIDENTIAL: THIS DRAWING AND ITS INFORMATION ARE THE EXCLUSIVE AND CONFIDENTIAL PROPERTY OF AIRBASE INDUSTRIES AND ARE NOT TO BE DISCLOSED, DUPLICATED, DISTRIBUTED OR OTHERWISE USED WITHOUT THE WRITTEN CONSENT OF AIRBASE INDUSTRIES - ALL RIGHTS RESERVED.		FORMAT REV	A	SIZE D DWG NO EC15 ASSY	
⊥	PERPENDICULARITY (SQUARENESS)	mm	0.1 - 0.4			ASME Y14.5 1994			
∥	PARALLELISM	INCH	.020 mm 0.5	SHEET 1 OF 2 SW					
⊙	ROUNDNESS (CIRCULARITY)	MACHINE SURFACES:	INCH 125 mm						
⊙	CYLINDRICITY	METRIC DIMS. SHOWN IN [BRACKETS]							
⊙	PROFILE OF ANY SURFACE								
⊙	PROFILE OF ANY LINE								
⊙	RUNOUT								
⊙	TRUE POSITION								
⊙	CONCENTRICITY								
⊙	SYMMETRY								

REV	DESCRIPTION	REV BY	DATE	APPD	DATE
A	XXXXXX	XX	XX-XX-XX	XXXX	XX-XX-XX



GEOMETRIC CHARACTERISTICS & SYMBOLS	
	FLATNESS
	STRAIGHTNESS
	ANGULARITY
	PERPENDICULARITY (SQUARENESS)
	PARALLELISM
	ROUNDNESS (CIRCULARITY)
	CYLINDRICITY
	PROFILE OF ANY SURFACE
	PROFILE OF ANY LINE
	RUNOUT
	TRUE POSITION
	CONCENTRICITY
	SYMMETRY

UNLESS OTHERWISE SPECIFIED
 DIM. TOLERANCES ARE AS FOLLOWS:
 INCH ±.1 ±.02 ±.005 ±.0005
 mm ±.5 ±.13 ±.013 ±.005
 ANG. ±.50 DEG
 REMOVE BURRS & BREAK SHARP EDGES:
 INCH .003-.015 mm 0.1-0.4
 CORNER FILLETS TO:
 INCH .020 mm 0.5
 MACHINE SURFACES:
 INCH 125 mm
 METRIC DIMS. SHOWN IN [BRACKETS]

DR BY:	W.R. WATKINS	DR BY DATE:	01-10-2012
APPD:		APPD DATE:	
THIRD ANGLE PROJECTION		EDS DATE	01-10-2012
		FORMAT REV	A

		1000 CASS DR CLAYTON, OHIO 45315
DESCRIPTION		
SIZE	D	DWG NO
EC15 ASSY		SHEET 2 OF 2 SW

A B C D

A B C D

8 7 6 5 4 3 2 1

8 7 6 5 4 3 2 1